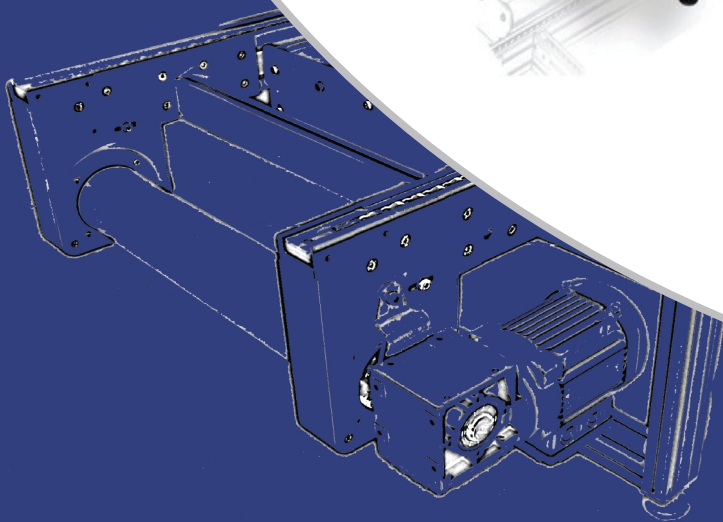
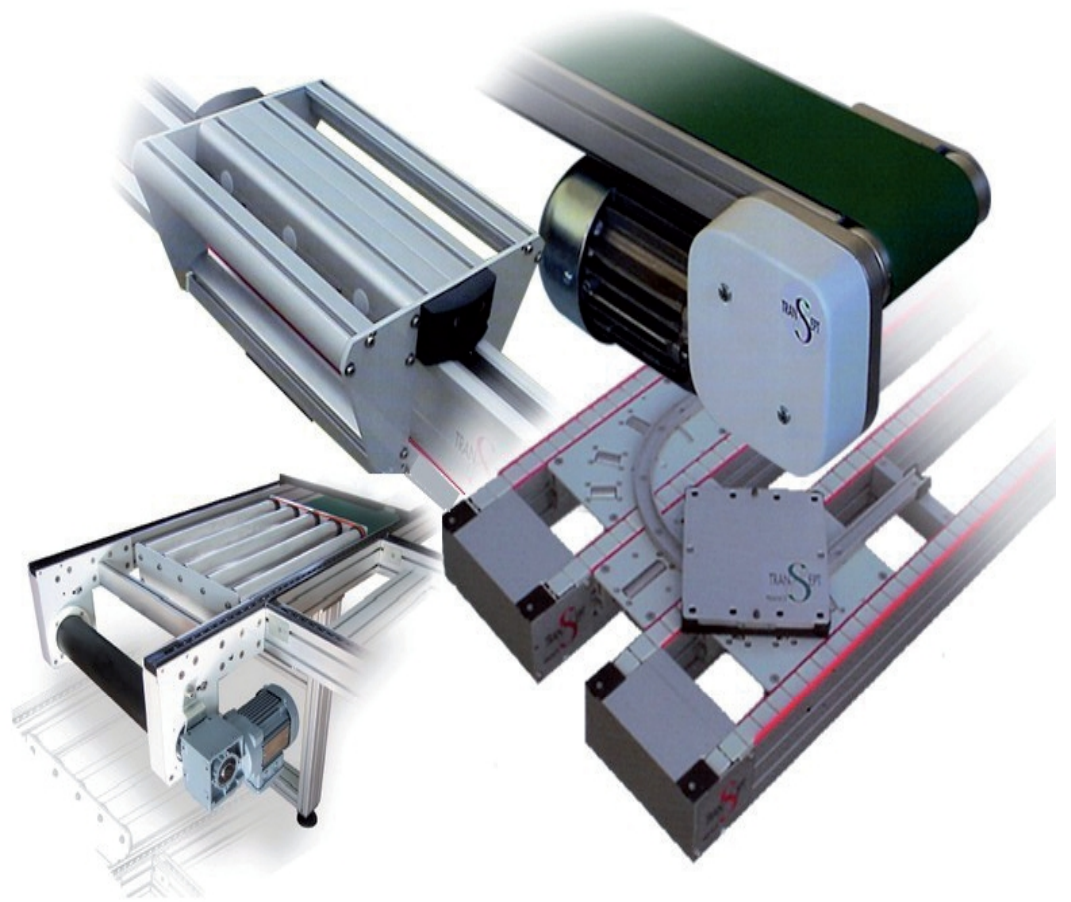


CONVEYING SYSTEMS



TRANSSEPT

The advantages of a good design

TRANSEPT

«The advantages of a good design»

ACTIVITY

Transept conceive and manufacture a wide range of conveying systems.

Since 1993, the company has become an industry leader in transfer and conveying systems providing original, simple and reliable solutions.

2 large families of products:

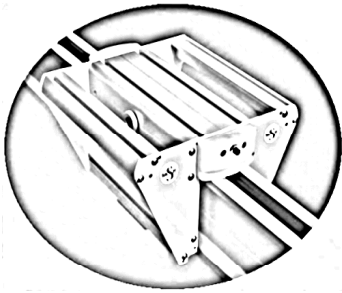
- belt conveyors
- transfer systems

LOCATION

Since 1993, thanks to its central geographic position in Europe, Transept has been able to:

- follow its customers investment
- provide world wide service to manufacturing

Thanks to its distribution network, the company has formed a strong reputation in the world markets among some of the most demanding customers.



STRONG POINTS

Reliability

Reliable and proven technology

Competitiveness

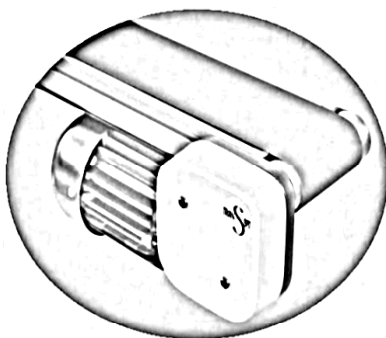
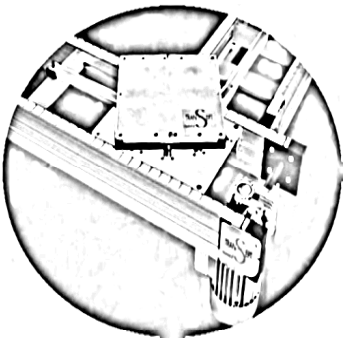
Simple and ergonomic design

Quality

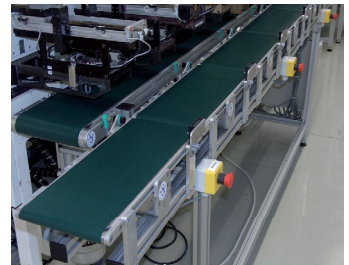
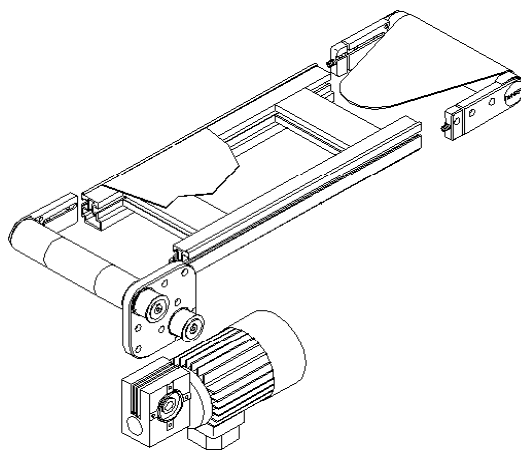
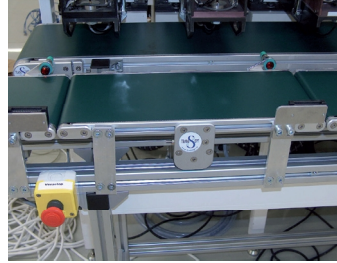
Low maintenance and use of quality raw material

Short lead time

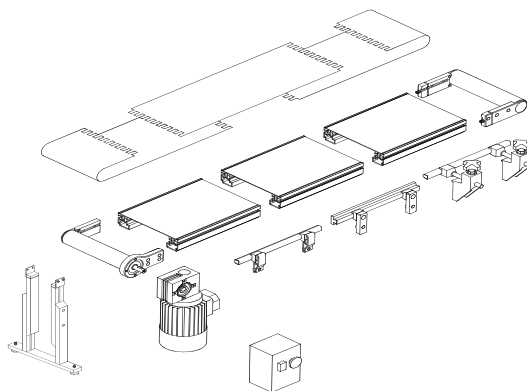
Effective range of products including numerous accessories and options



TB type belt conveyors

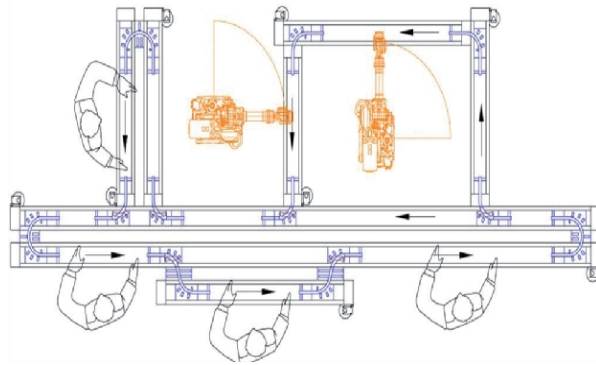
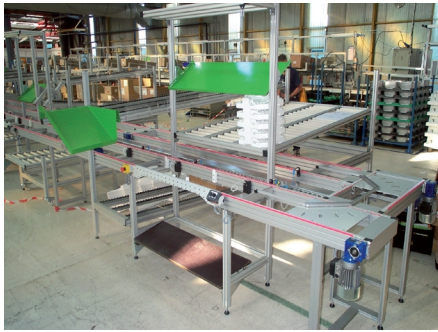
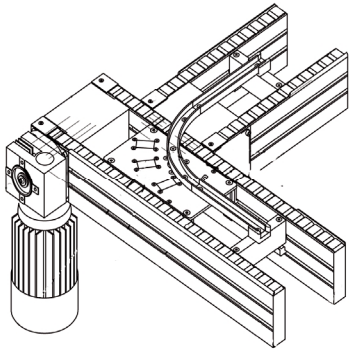


- Aluminium structure
- Stainless steel bedplate
- Driving roller (Ø 24, 50, 90)
- Adjustable belt tensioning
- Wide range of belt widths (from 20mm to 1,5m), and speeds



modulo kit

TR type transfer system



Double way system fitted with chain and WPC ●

Stop accuracy ●

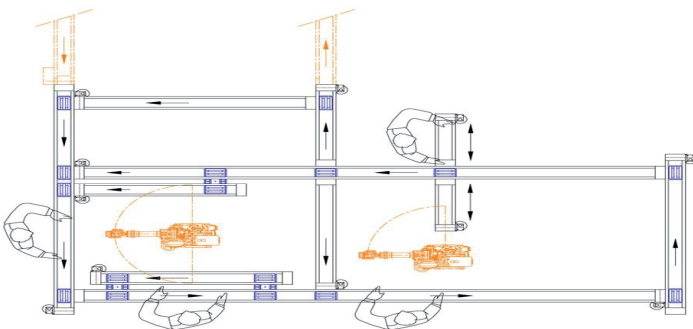
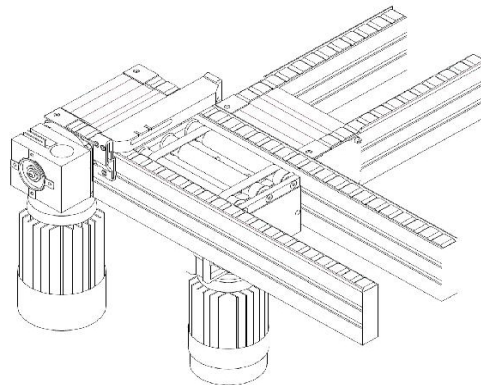
Taking the curves directly ●

Positioning accuracy ●

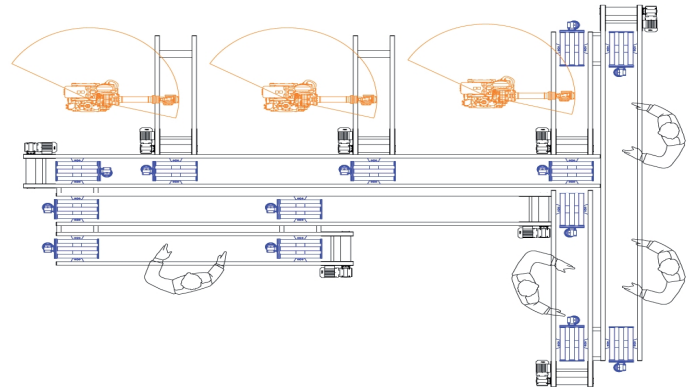
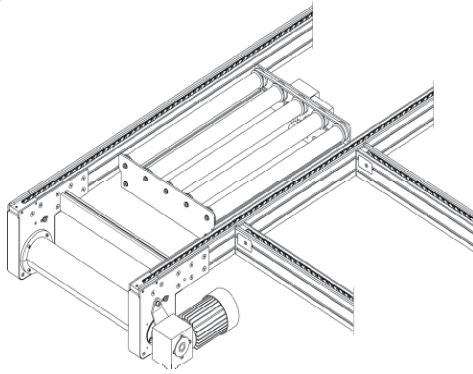
Load up to 20kg above the WPC ●

WPC dimensions from 100mm x 100mm to 400mm x 550 mm ●

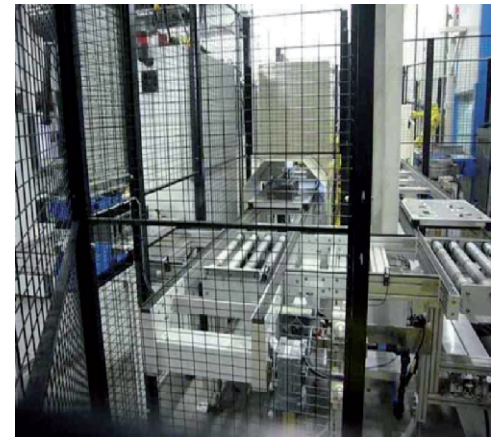
TRD option: fitted with transfer devices in the curves



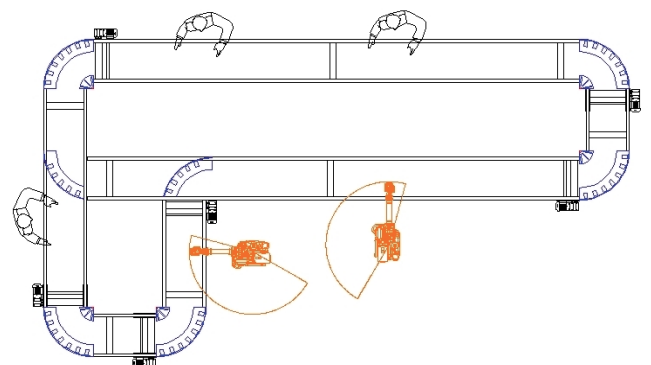
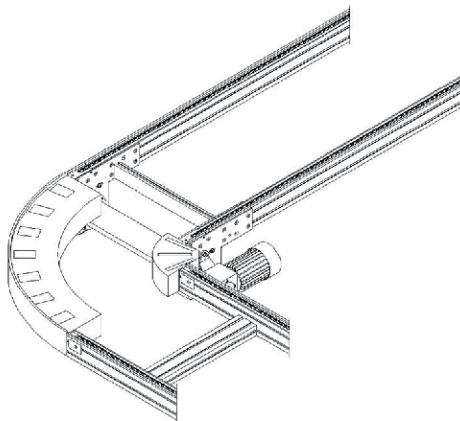
TRM type transfer system



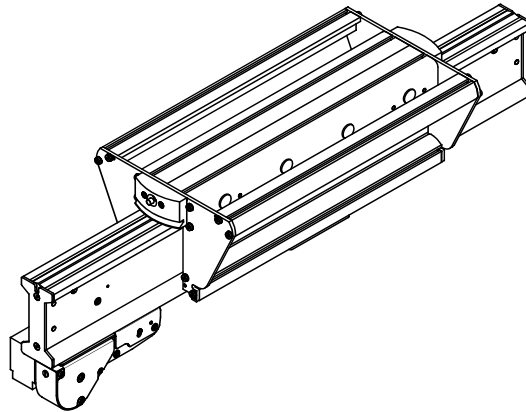
- Double way system fitted with chain and WPC
- Fitted with transfer devices
- Dampened stop
- Positioning accuracy
- Load up to 150 kg above the WPC
- WPC dimensions from 400mm x 400mm to 1500mm x 1500mm



TRMV option : taking the curves directly



TM type transfer system



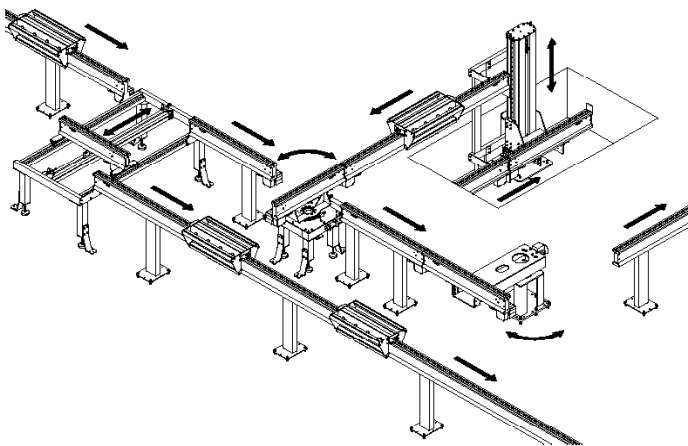
Dampened stop ●

Positioning accuracy ●

Load up to 250 kg above the shuttle ●

Monoprofile system fitted with chain and shuttles ●

Shuttles dimensions from 400mm x 400mm ●
to 2000mm x 2000mm



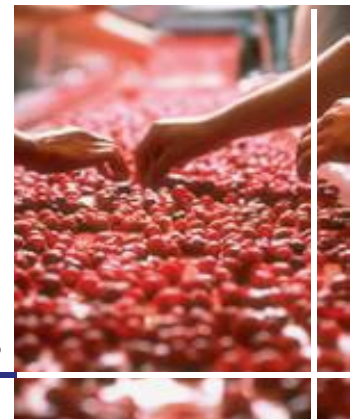
SECTORS OF ACTIVITY

Mechanical
industry



Solar
industry

Miscellaneous



Household
industry



**Aircraft
industry**



**Electronic
industry**



**Cosmetic
industry**



**Car
industry**

SALES NETWORK



- The Transept sales network covers numerous countries in the world and distributes the complete range of Transept products.



A complete range of transitic systems



| | |
|--|--|
|  TOJALTEC | Automatization |
| | telf: 00351 232 848 042 e-mail: geral@tojaltec.com www.tojaltec.com ZIM Vilar de Besteiros, Lote 2 3465-190 Tondela - Portugal |



TRANSEPT
rue Gustave Eiffel - BP 6553 - 85300 CHALLANS Cedex - France
Tel. 33(0)2 51 68 69 45 - Fax. 33(0)2 51 68 8178
www.transept.fr - e-mail: message@transept.fr